

R15



Bookshelf Loudspeakers

Enthusiasm for music reproduction lies at the heart of everything we do. Over the years, we have built an outstanding team of gifted and passionate engineers who have poured their hearts and souls into products that deliver a quality of reproduction that has won countless awards around the world. Building upon the success of the outstanding Radia Series hi-fi and home cinema electronics, we proudly introduce a complete range of Radia Series loudspeakers as the perfect companions to complete your audio or AV system.

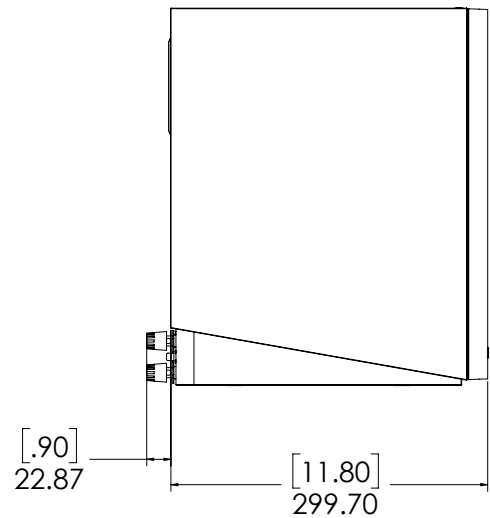
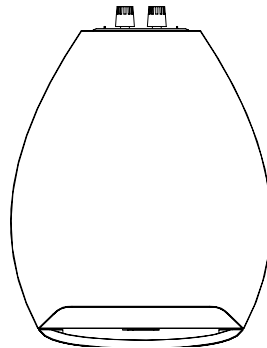
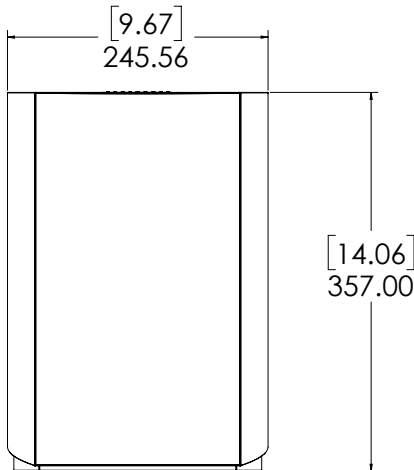
The ARCAM R15 is the more compact bookshelf model in the Radia series. It features a 5.25-inch (130mm) Micro Ceramic Composite (MCC) cone woofer and a 1-inch (25mm) DCC dome tweeter mounted in an Acoustic Lens waveguide. These components work in harmony with a precision crossover network and an acoustically optimised enclosure to achieve unmatched audio accuracy.

The R15 embodies luxury craftsmanship featuring a magnetically attached grille for a clean, seamless look with no visible fasteners. Hidden hardware and integrated trim rings add a refined touch, while a subtle yellow accent complements the rigid, cross-braced cabinet. Optional solid aluminium stands with optional spikes and protectors ensure optimal positioning and isolation. The elegant cabinet is finished in premium Black Walnut wood veneer. Every detail is designed to please the eye as much as the ear.

The ARCAM R15 is brilliantly engineered to place you in the centre of your musical experience.

Features

- Perfect match for ARCAM SA35
- Low Frequency Drivers: 5.25 in (130 mm) Micro Ceramic Composite (MCC) Cone Woofer
- 1-inch (25mm) DCC Dome Aluminium Tweeter
- Advanced Acoustics Lens
- Recommended Amplifier Power: 15-150W
- Enclosure Tuning: Bass-Reflex via Dual Rear-Mounted Ports
- Fine-tuned via anechoic EQ when using ARCAM SA35, SA45, and AV products



Dimension Specifications	
Dimensions	11.6 in x 7.9 in x 9.6 in (294 mm x 200 mm x 245mm)
Product Weight	15 lbs. (6.8 kg)
Shipping Weight	39.7 lbs. (18 kg)
Shipping Units of Measure	Pair
Electrical and Acoustic Specs	
Nominal Impedance	6 Ohms
Sensitivity @ 1m, 2.83V	85 dB
Recommended Amplifier Power	15-150W
Frequency Response +/-6 dB	54 Hz - 40 kHz
Crossover Frequency	1.8 kHz